

# 580

**Müller**  
GAS EQUIPMENT A/S  
GAS CONTROL SOLUTIONS

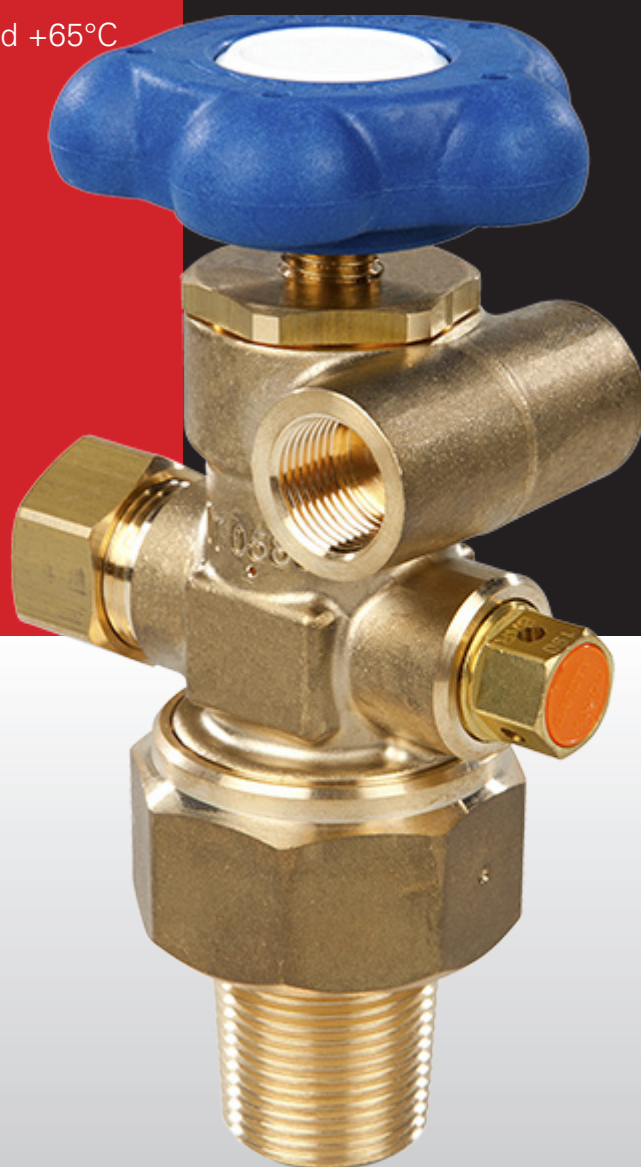
## Pneumatic Inert Valve

Quick action valve used for fire extinguishing systems

### TECHNICAL SPECIFICATIONS:

- Quick release for CO<sub>2</sub> and N<sub>2</sub>
- Manual and pneumatical activation of the valve
- Approved for operating temperatures between -20°C and +65°C
- The valve is tested by BAM for WP 200 bar
- The valve fulfill ISO 17871 as a type "C" 10 activations
- The valve must be used with a valve protection guard according to 4.1.6.8 ADR

*For further technical specifications on this valve please see reverse.*



**90** years of proven experience

Discover more of our products at: [www.bmv.dk](http://www.bmv.dk)

# TECHNICAL SPECIFICATIONS:

## 580 Pneumatic Inert Valve

### About this valve

The MGE Type 580 Pneumatic Inert Valve is used for fire extinguishing systems. The quick action valve for CO<sub>2</sub>/N<sub>2</sub> can be manual activated by using a handwheel or pneumatically activated by using the G3/8" connections. The valve is also equipped with a bursting disc.

The valve is manufactured in Denmark on state of the art manufacturing equipment, and the quality is monitored throughout the entire process. The valve is assembled on an automated assembly line and the valve is subjected to a 100% functional test. After passing all tests on the assembly line it is securely packed for shipping.

**BAM Approved:** According to ISO 17871

**Approved test pressure:** 250 bar

**Working pressure:** 200 bar

**Inlet connection:** 25E according to ISO 11363-1, or other on request

**Inlet filter:** On request

**Outlet connection:** W21,8x1/14 DIN 477-1, or other on request

**Dip Tube thread:** M 16 x 1, or other on request

**Activation:** Pneumatically or by handwheel

**Handwheel:** Plastic Ø58,5 or Q65 and with logo on request. Aluminium handwheel is optional.

**Bursting disc:** According to CGA S 1.1

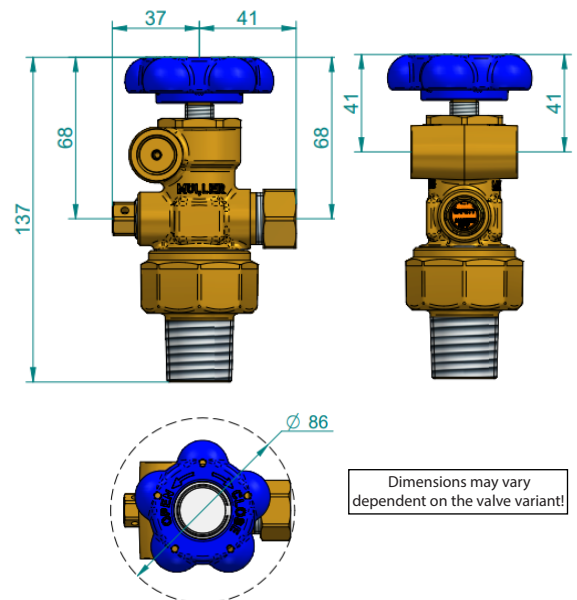
**Tap / Plastic protection cap:** On request

**Passage:** Ø12 mm

Contact our Sales Department to place your order:

**Phone: +45 73 42 12 12**

**info@bmv.dk**



**Müller**  
GAS EQUIPMENT A/S  
GAS CONTROL SOLUTIONS

**Müller Gas Equipment A/S**

Mommarkvej 7-11 · Vollerup · DK-6400 Sønderborg

Telefon: +45 73 42 12 12 · Fax: +45 73 42 12 07 · email: info@bmv.dk · [www.bmv.dk](http://www.bmv.dk)

See our online  
catalogue



Type Approval and  
IS Authorisation Certificate by:  
**BAM**  
BAM-TPED-beP-2011/002