

570

Müller
GAS EQUIPMENT A/S
GAS CONTROL SOLUTIONS

Pneumatic CO₂ Valve

Used for fire extinguishing systems

TECHNICAL SPECIFICATIONS:

- Quick release for CO₂
- Manual or pneumatical activation of the valve
- Approved for operating temperatures between -20°C and +50°C
- The valve is tested by BAM and has an approved test pressure of 250 bar
- The valve fulfill ISO 17871 as a type "B" 10 activations
- The valve must be used with a valve protection guard according to 4.1.6.8 ADR

For further technical specifications on this valve please see reverse.



90 years of proven experience

Discover more of our products at: www.bmv.dk

TECHNICAL SPECIFICATIONS:

570 Pneumatic CO₂ Valve

About this valve

The MGE Type 570 Pneumatic CO₂ Valve is used for fire extinguishing systems. The quick action valve can be manual activated by using a handwheel or pneumatically activated by using the G1/8" connections. The valve is also equipped with a bursting disc.

The valve is manufactured in Denmark on state of the art manufacturing equipment, and the quality is monitored throughout the entire process. The valve is assembled on an automated assembly line and the valve is subjected to a 100% functional test. After passing all tests on the assembly line it is securely packed for shipping.

BAM Approved: According to ISO 17871

Approved test pressure: 250 bar

Inlet connection: 25E according to ISO 11363-1, or other on request

Inlet filter: On request

Outlet connection: W21,8x1/14 DIN 477-1, or other on request

Activation: Pneumatically or by handwheel

Handwheel: Brass handwheel Ø48 mm

Operating temperature: -20°C /+65°C

Gas application: CO₂

Bursting disc: According to CGA S 1.1 or TRG 254-2 Nr. 1

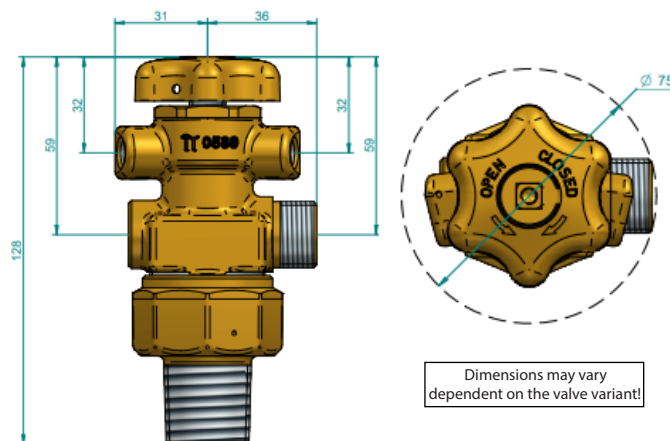
Tape / Plastic protection cap: On request

Passage: Ø12 mm

Contact our Sales Department to place your order:

Phone: +45 73 42 12 12

info@bmv.dk



Müller

GAS EQUIPMENT A/S
GAS CONTROL SOLUTIONS

Müller Gas Equipment A/S

Mommarkvej 7-11 · Vollerup · DK-6400 Sønderborg

Telefon: +45 73 42 12 12 · Fax: +45 73 42 12 07 · email: info@bmv.dk · www.bmv.dk

See our online
catalogue



Type Approval and
IS Authorisation Certificate by:



BAM-TPED-beP-2011/002