

127

Müller
GAS EQUIPMENT A/S
GAS CONTROL SOLUTIONS

Light weight and small valve for 5L cylinders

Simple top outlet valve

TECHNICAL SPECIFICATIONS:

- The valve is oxygen pressure surge tested by BAM for WP 200 bar
- Max passage: Ø2.5 mm
- Manometer for cylinder pressure

For further technical specifications on this valve please see reverse.



90 years of proven experience

Discover more of our products at: www.bmv.dk

TECHNICAL SPECIFICATIONS:

127 Light weight and small valve for 5L cylinders

About this valve

The MGE Type 127 is a small and light top outlet valve, which makes it suitable for small cylinders. The valve is available with and without a content indicator.

The valve is manufactured in Denmark on state of the art manufacturing equipment, and the quality is monitored throughout the entire process. The valve is assembled on an automated assembly line and the valve is subjected to a 100% functional test. After passing all tests on the assembly line it is securely packed for shipping.

BAM Approved: According to ISO 10297

Working pressure: 200 bar

Inlet connection: M18x1.5, 5/8- 18 UNF, or other on request

Inlet filter: On request

Outlet connection for simple valve: DS2404, DIN, CGA or other on request

Dip Tube: On request, M10x075, or other

Anti dust tube: On request

Handwheel: Plastic Ø38 mm and with logo on request

Excess flow device: On request

Tape / Plastic protection cap: On request

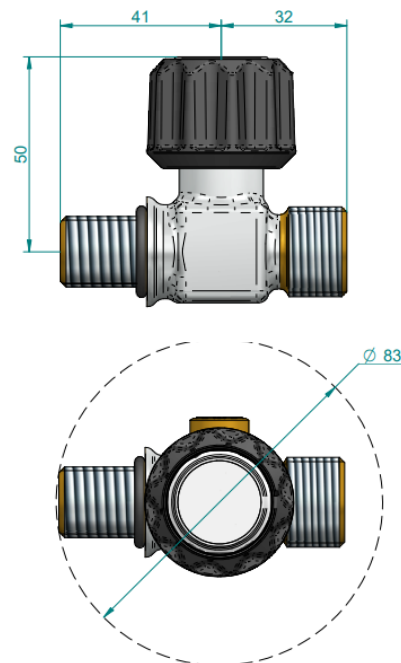
Surface treatment: Chromium plating on request

Passage: Ø1.3 mm

Contact our Sales Department to place your order:

Phone: +45 73 42 12 12

info@bmv.dk



Dimensions may vary dependent on the valve variant!

127 - SMALL AND LIGHT TOP OUTLET VALVE



- Top outlet
- Pressure gauge for cylinder pressure

SAME QUALITY, SIDE OUTLET VALVE (TYPE 126)



- Side outlet
- Simple valve or with RPV / MPR

Müller

GAS EQUIPMENT A/S

GAS CONTROL SOLUTIONS

Müller Gas Equipment A/S

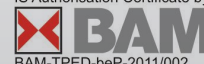
Mommarkvej 7-11 · Vollerup · DK-6400 Sønderborg

Telefon: +45 73 42 12 12 · Fax: +45 73 42 12 07 · email: info@bmv.dk · www.bmv.dk

See our online catalogue



Type Approval and IS Authorisation Certificate by:



BAM-TPED-beP-2011/002