

411

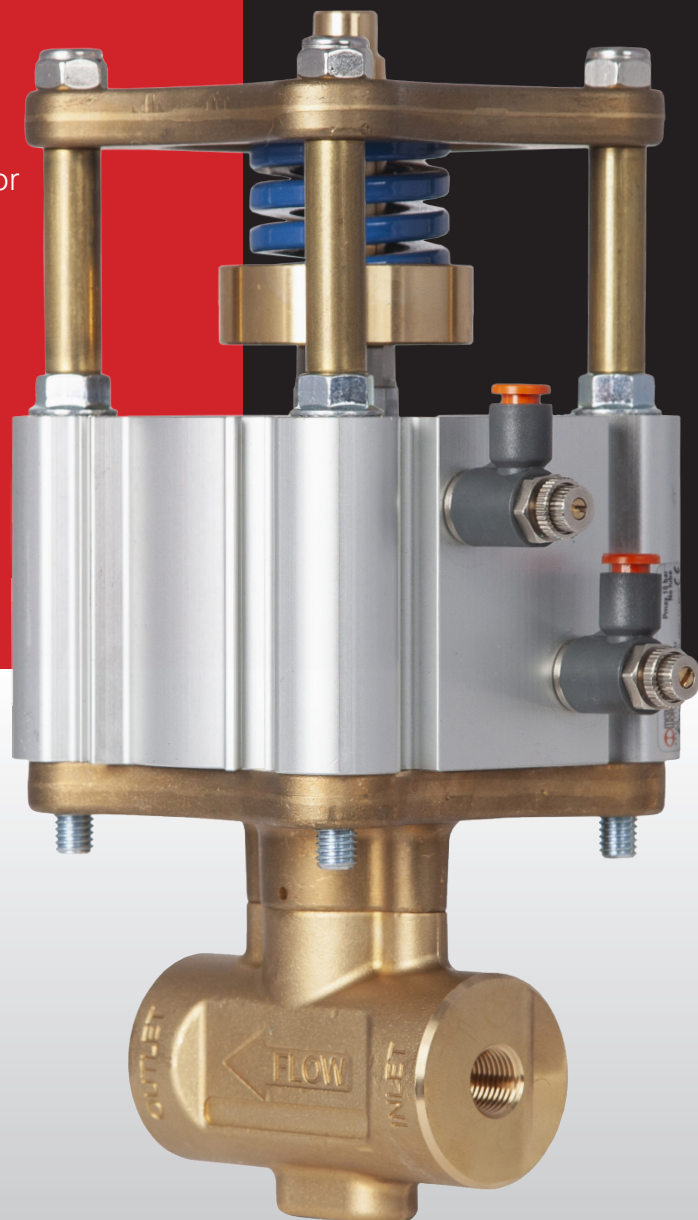
High Pressure Actuator Valve

// Approved for 360 bar oxygen

TECHNICAL SPECIFICATIONS:

- The valve is oxygen pressure surge tested by BAM for WP 300 bar (TP 360 bar)
- Max WP - Non-oxidizing gases 420 bar
- Max WP - Oxidizing gases 360 bar
- Passage max Ø 8 mm
- Normally closed without external pressure supply for pneumatic activation of cylinder
- Normally open without external pressure supply for pneumatic activation of cylinder
- Long life span
- Designed according to ISO 10297 standard

For further technical specifications on this valve please see reverse.



90 years of proven experience

Discover more of our products at: www.bmv.dk

TECHNICAL SPECIFICATIONS: 411 High Pressure Filling Actuator Valve

About this valve

The MGE actuator valves are especially designed for filling systems and pneumatic- / el.- pneumatic systems.

They can operate manually, pneumatically or by means of a el. pneumatic positioner. Due to the choice of materials, especially for the seat-packing (Monel for metallic and POM for non-metallic valve seats), the valves and components, can be used in a large range of gas applications.

The product is fitted to the gas piping system by means of a threaded connection.

The valve is manufactured on state of the art machinery, and the quality is monitored throughout the entire process. The final product is subjected to a 100% functional test after assembly ensuring you a *world class Pressure Reduction Valve!*

BAM Approved: According to ISO 10297 (O₂ test)

Working pressure: Up to 420 bar

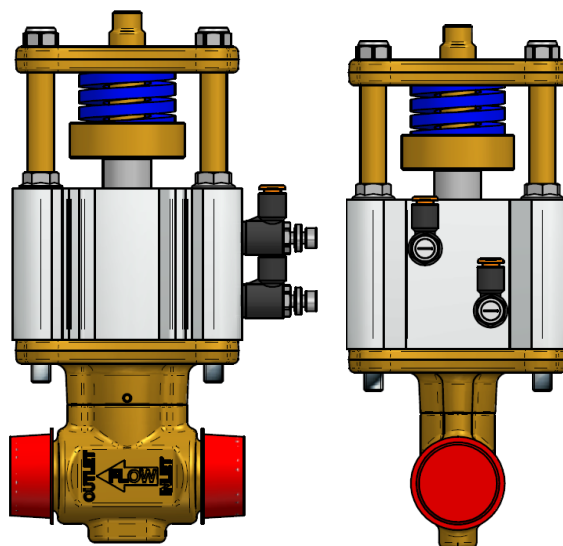
In/Outlet connection: G1, 3/4 NPT or on request

Activation pressure: 8 bar

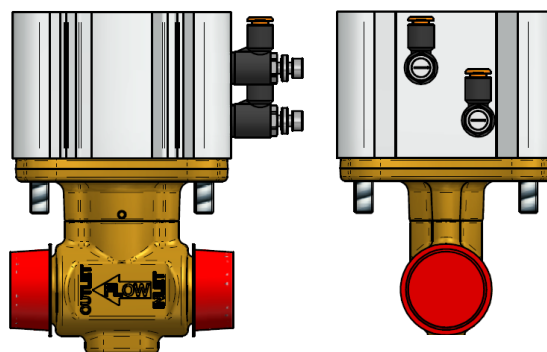
Contact our Sales Department to place your order:

Phone: +45 73 42 12 12

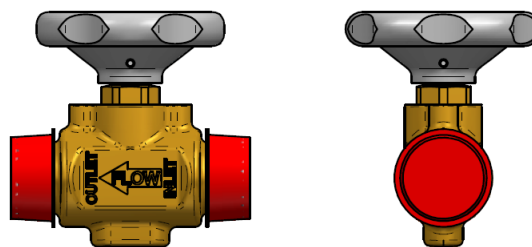
info@bmv.dk



Normally CLOSED



Normally OPEN



Manual activation
Handwheel operated

Müller

GAS EQUIPMENT A/S

GAS CONTROL SOLUTIONS

Müller Gas Equipment A/S

Mommarkvej 7-11 · Vollerup · DK-6400 Sønderborg

Telefon: +45 73 42 12 12 · Fax: +45 73 42 12 07 · email: info@bmv.dk · www.bmv.dk

See our online
catalogue



EC Type-Examinations and
QS Certification by:



BAM-TPED-QS-2009/001