

126

Müller
GAS EQUIPMENT A/S
GAS CONTROL SOLUTIONS

Light weight and small valve for 5L cylinders

Simple valve or with RPV / MPR

TECHNICAL SPECIFICATIONS:

- The valve is oxygen pressure surge tested by BAM for WP 200 bar
- Reliable opening/closing setting of the RPV function
- Minimum Pressure Retention: 2 - 7.5 bar
- Approved for - 20 °C
- The distance from the sealing surface to the tip of the pin can be customised
- RPV unit can be replaced
- Max passage: Ø2.5 mm
- Pressure gauge is optional

For further technical specifications on this valve please see reverse.



90 years of proven experience

Discover more of our products at: www.bmv.dk

TECHNICAL SPECIFICATIONS:

126 Light weight and small valve for 5L cylinders

About this valve

The MGE Type 126 is a small and light side outlet valve, which makes it suitable for small cylinders. The valve is available with and without a content indicator.

The valve is manufactured in Denmark on state of the art manufacturing equipment, and the quality is monitored throughout the entire process. The valve is assembled on an automated assembly line and the valve is subjected to a 100% functional test. After passing all tests on the assembly line it is securely packed for shipping.

BAM Approved: According to ISO 10297

Working pressure: 200 bar

Inlet connection: 17E, or other on request

Inlet filter: On request

Outlet connection for simple valve: DS2404, DIN, AFNOR, CGA, BS, AS or other on request

Outlet with RPV (200 bar): DS2404, DIN, BS, or other when compatible

Dip Tube: On request, M10x075, or other

Anti dust tube: On request

Residual Pressure Valve / Minimum Pressure Retention: 2 - 7.5 bar retain pressure

Handwheel: Plastic Ø38 mm and with logo on request

Burst disc: According to CGA S 1.1

Excess flow device: On request

Tape / Plastic protection cap: On request

Fusible element: On request

Surface treatment: Chromium plating on request

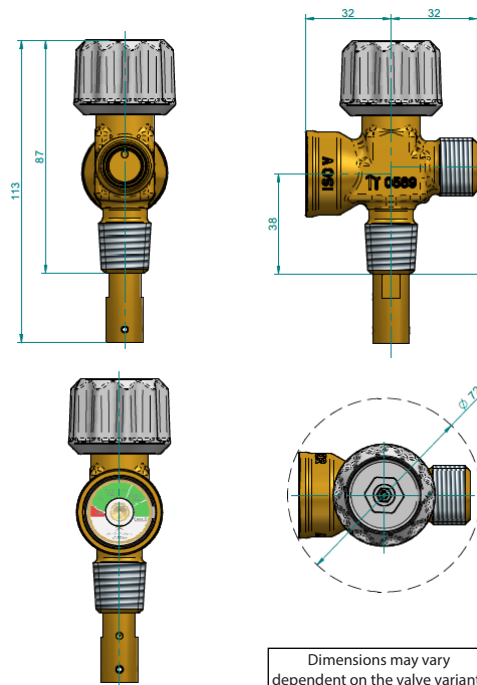
Passage: Ø2.5 mm

Pressure gauge: Optional

Contact our Sales Department to place your order:

Phone: +45 73 42 12 12

info@bmv.dk



126 - SMALL AND LIGHT SIDE OUTLET VALVE



- Acetylen version
- Side outlet
- Simple valve or with RPV / MPR

SAME QUALITY, TOP OUTLET VALVE (TYPE 127)



- Top outlet
- Pressure gauge for cylinder pressure

Müller

GAS EQUIPMENT A/S

GAS CONTROL SOLUTIONS

Müller Gas Equipment A/S

Mommarkvej 7-11 · Vollerup · DK-6400 Sønderborg

Telefon: +45 73 42 12 12 · Fax: +45 73 42 12 07 · email: info@bmv.dk · www.bmv.dk

See our online catalogue



Type Approval and IS Authorisation Certificate by:



BAM-TPED-beP-2011/002