

490

Müller
GAS EQUIPMENT A/S
GAS CONTROL SOLUTIONS

Chlorine valve with V-rings and additional O-ring sealing

Valve body in brass with chemical nickel plating (40 µm)

TECHNICAL SPECIFICATIONS:

- External tightness achieved with two preset V-ring seals by disc springs and additionally O-ring sealing
- Valve body in brass with chemical nickel plating (40 µm)
- Other components produced in stainless steel
- Passage Ø6.5 mm
- BAM approved
- Non rotating, threadless lower inner spindle

For further technical specifications on this valve please see reverse.



90 years of proven experience

Discover more of our products at: www.bmv.dk

TECHNICAL SPECIFICATIONS:

490 Chlorine valve with V-rings and additional O-ring sealing

About this valve

The MGE Type 490 is a chlorine cylinder valve approved by BAM. The valve has an improved service life due to the chemically nickel-plated valve body and stainless steel machined parts, which improve its corrosion resistance. The valve features a spring-loaded V-ring design with additional O-ring sealing. This design ensures a leak-tight valve and eliminates the need to re-tighten the gland nut. The valve has a user-friendly design with soft-close handwheel that ensures low closing torque. No key is required for operation.

The valve is manufactured in Denmark on state of the art manufacturing equipment, and the quality is monitored throughout the entire process. The valve is assembled on an automated assembly line and the valve is subjected to a 100% functional test. After passing all tests on the assembly line it is securely packed for shipping.

BAM Approved: According to ISO 10297

Approved test pressure: 60 bar

Inlet connection: 25E, or other on request

Outlet connection: DIN 477-1 No. 8

Dip Tube: On request, M 10 x 075, or other

Handwheel: with logo on request. Aluminium handwheel is optional

Tape / Plastic protection cap: On request

Surface treatment: Chemical nickel plating 40 µm

Max passage: Ø6.5 mm

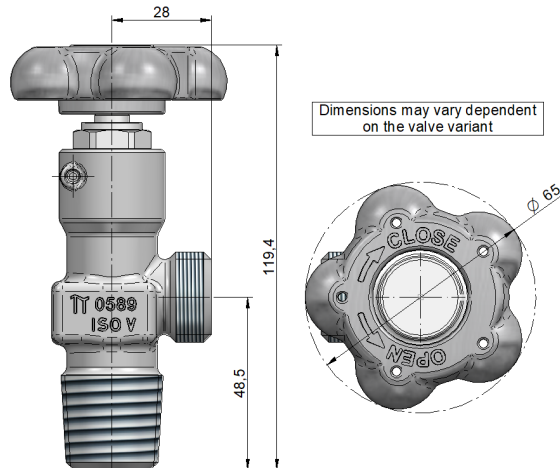
Outlet sealing cap, or plug: On request

Gas: Cl₂

Contact our Sales Department to place your order:

Phone: +45 73 42 12 12

info@bmv.dk



Müller
GAS EQUIPMENT A/S
GAS CONTROL SOLUTIONS

Müller Gas Equipment A/S

Mommarkvej 7-11 · Vollerup · DK-6400 Sønderborg

Telefon: +45 73 42 12 12 · Fax: +45 73 42 12 07 · email: info@bmv.dk · www.bmv.dk

See our online
catalogue



Type Approval and
IS Authorisation Certificate by:

