

# 370

**Müller**  
GAS EQUIPMENT A/S  
GAS CONTROL SOLUTIONS

## Pneumatic Timer Valve

Used for fire extinguishing systems

### TECHNICAL SPECIFICATIONS:

- Quick release for Inert gases
- Manual or pneumatical activation of the valve
- The valve is tested by BAM for WP 200 bar at 15°C
- The valve fulfill ISO 17871 as a type "B" 10 activations
- The valve must be used with a valve protection guard according to 4.1.6.8 ADR
- Approved operating temperatures between -20°C and +65°C

*For further technical specifications on this valve please see reverse.*



**90** years of proven experience

Discover more of our products at: [www.bmv.dk](http://www.bmv.dk)

# TECHNICAL SPECIFICATIONS:

## 370 Pneumatic Timer Valve

### About this valve

The MGE Type 370 Pneumatic Timer Valve is used for fire extinguishing systems. The quick action valve for Inert gases can be manual activated by using a handwheel or pneumatically activated by using the M26x1.5 connection. The valve is also equipped with a bursting disc.

The valve is manufactured in Denmark on state of the art manufacturing equipment, and the quality is monitored throughout the entire process. The valve is assembled on an automated assembly line and the valve is subjected to a 100% functional test. After passing all tests on the assembly line it is securely packed for shipping.

**BAM Approved:** According to ISO 17871

**Working pressure:** 200 bar

**Approved test pressure:** 190 bar

**Inlet connection:** 25E according to ISO 11363-1, or other on request

**Inlet filter:** On request

**Outlet connection:** W21,8x1/14 DIN 477-1, or other on request

**Dip Tube thread:** M 16 x 1, or other on request

**Activation:** Pneumatically or by handwheel

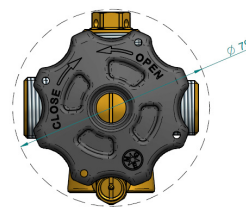
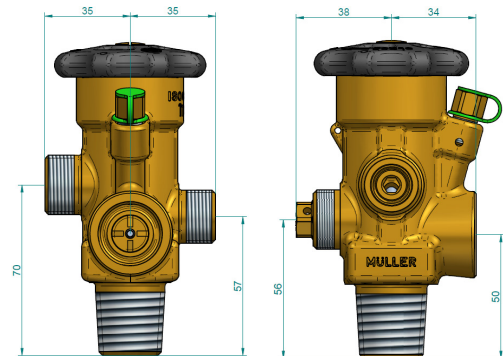
**Handwheel:** Aluminium handwheel Ø65

**Burst disc:** According to CGA S 1.1 or TRG 254-2 Nr. 1

**Tape / Plastic protection cap:** On request

**Gas:** Argonite, Halon, N2, Ar/N2, CO2 (filling factor 0.68)

**Passage:** Ø12 mm



Dimensions may vary dependent on the valve variant!

Contact our Sales Department to place your order:

**Phone:** +45 73 42 12 12

**info@bmv.dk**

## TYPE 370 - ALSO AVAILABLE AS:

### PRESSURE HOSE TYPE



### MANIFOLD TYPE



**Müller**  
GAS EQUIPMENT A/S  
GAS CONTROL SOLUTIONS

### Müller Gas Equipment A/S

Mommarkvej 7-11 · Vollerup · DK-6400 Sønderborg

Telefon: +45 73 42 12 12 · Fax: +45 73 42 12 07 · email: info@bmv.dk · [www.bmv.dk](http://www.bmv.dk)

See our online catalogue



Type Approval and IS Authorisation Certificate by:

