

047

Regulator for gas cylinders and cylinder bundles

TECHNICAL SPECIFICATIONS:

- Single or second stage regulator
- Inlet pressure 0,3-16 bar
- Outlet pressure 29, 30, 50 mbar
- Capacity 4 kg/h (dependent on inlet and outlet pressure)
- OPSO: Can be combined with MGE type 869
- PRV
- PS 16
- Typically combined with OPSO type 869 and/or automatic change over valve type 056

For further technical specifications on this regulator please see reverse.



25 years of proven experience

Discover more of our products at: www.mueller-gastechnik.de

TECHNICAL SPECIFICATIONS:

047 Regulator for gas cylinders and cylinder bundles

About this regulator

The low pressure regulator type 047 is a single stage regulator typically used for cylinders. However, the regulator can be integrated in all other systems which require a regulated pressure at a low capacity.

Mode of operation

The low pressure regulator type 047 is a single stage regulator for gas cylinders which reduces the non-regulated pressure from the cylinder to a nominal set pressure e.g. 50 mbar.

DVGW Approved: According to EN 16129 / CE marking according to 2009/142/EC, 2016/426/EG

Inlet pressure: 0,3-16 bar

Inlet connection: Pol, G1/4, G3/8, G1/2, G3/4 or other on request.

Outlet connection: G1/4, G3/8, G1/2, G3/4 or other on request

Capacity: 4 kg/h (Propane)

Outlet pressure: 29 / 30 / 50 mbar or other on request

Pressure relief valve (PRV): 90-160 mbar or other on request

Over-pressure shut-off (OPSO): Can be combined with MGE type 869

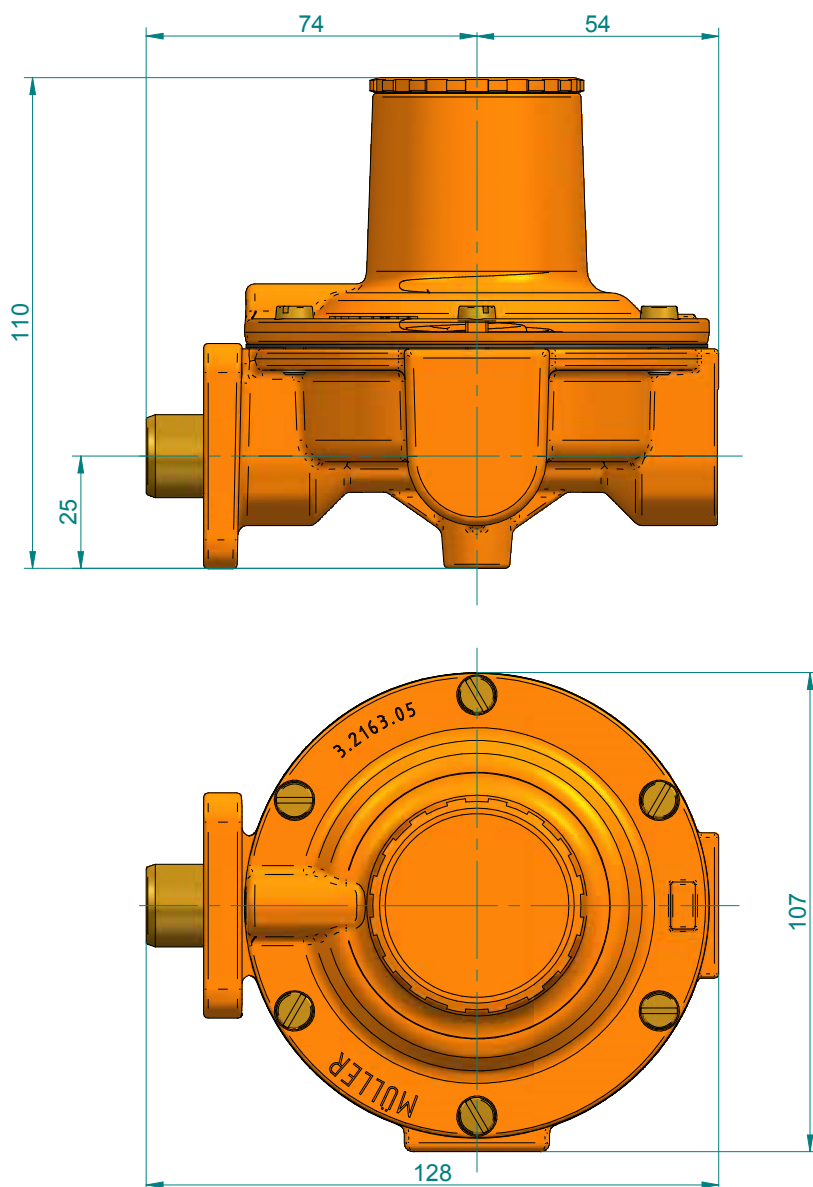
Regulator weight: Approx. 1,2 kg

Gas: LPG / Propane / Butane / Natural gas or other on request

Working temperatur: -40°C to +50°C

Contact our Sales Department to place your order:

Phone: +49 40 89 06 16-0 · info@mueller-gastechnik.de



Müller
GASTECHNIK GMBH
REGLER & ARMATUREN

Müller Gastechnik GmbH

Industriestrasse 3 · 25462 Rellingen · Telefon: +49 40 89 06 16-0 · Fax: +49 40 89 06 16-29
Email: info@mueller-gastechnik.de · www.mueller-gastechnik.de

See our online catalogue

