

# 418

## Off-Line High-Pressure Cylinder Valve

RPV / MPR - VALVE WITH REDUCED BRASS AND  
CO<sub>2</sub> EMISSIONS ENABLING A LOWER PRICE

### TECHNICAL SPECIFICATIONS:

- Improved lifetime on the RPV unit, reducing maintenance cost
- RPV noise level considerably reduced compared to competing products. This is achieved at all flow rates
- The RPV can withstand 60 blow downs at 310 bar
- Excellent RPV opening/closing pressure range
- The valve is oxygen pressure surge tested by BAM for WP 310 bar (4500 psi)
- RPV unit can be replaced
- Impact value of 400J / 111kg can be achieved with inlet thread 25E
- Inlet and outlet on the same centerline

*For further technical  
specifications on  
this valve please  
see reverse.*



**90** years of proven experience

Discover more of our products at: [www.bmv.dk](http://www.bmv.dk)

# TECHNICAL SPECIFICATIONS: 418 Off-Line High-Pressure Cylinder Valve

## About this valve

The valve is manufactured in Denmark on state of the art machinery, and the quality is monitored throughout the entire process. The final product is subjected to a 100% functional test after assembly ensuring you a world class Residual Pressure Valve!

**BAM Approved:** According to ISO 10297 & 15996

**Working pressure:** ≤310 bar (4500 psi)

**Inlet connection:** 25E, 25ES, 3/4 - 14 NGT or other on request

**Inlet filter:** On request

**Outlet connection:** DS2404, DIN, NEN, AFNOR, UNI, NBN, CGA, BS, AS, ISO 5145 or other on request

**Dip Tube:** On request, M10x0,75 or other

**Anti dust tube:** On request

**Residual Pressure Valve / Minimum Pressure Retention:** 3 - 7.5 bar retain pressure

**Handwheel:** Plastic Ø58.5 or Ø65 and with logo on request. Aluminium handwheel is optional. Free spinning handwheel on request

**Burst disc:** On request, according to CGA S 1.1

**Max flow:** On request

**Tape / Plastic protection cap:** On request

**Fusible element:** On request

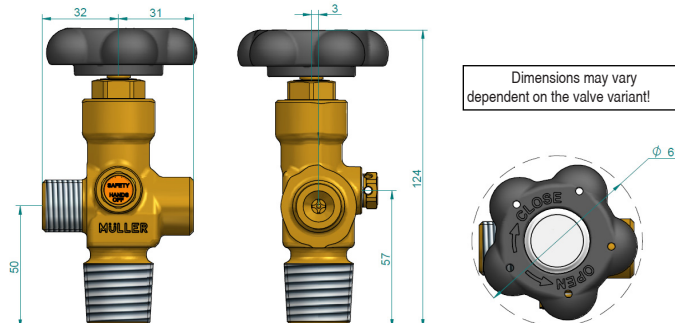
**Surface treatment:** Chromium plating on request

**Max. passage:** Ø4

Contact our Sales Department to place your order:

**Phone: +45 73 42 12 12**

**info@bmv.dk**



## 418 - OFF-LINE HIGH PRESSURE CYLINDER VALVE



- Weight and brass saving design
- Lower CO<sub>2</sub> footprint
  - \* ≈25% less CO<sub>2</sub> compared to type 518
- Inlet and outlet on the same center line

## SAME VARIANT BUT WITH PRESSURE GAUGE (TYPE 419)



- Inlet and outlet on the same center line
- With active pressure gauge
- Pressure gauge protected by the valve body

**Müller**  
GAS EQUIPMENT A/S  
GAS CONTROL SOLUTIONS

### Müller Gas Equipment A/S

Mommarkvej 7-11 · Vollerup · DK-6400 Sønderborg

Telefon: +45 73 42 12 12 · Fax: +45 73 42 12 07 · email: info@bmv.dk · [www.bmv.dk](http://www.bmv.dk)

See our online  
catalogue



Type Approval and  
IS Authorisation Certificate by:

