

451

Cylinder Valve for MEGC + Battery Vehicle

(Multiple-element gas container)

Simple valve for 500 bar inert gases or hydrogen

TECHNICAL SPECIFICATIONS:

- The valve is tested for WP 500 bar by BAM
- The valve is developed for MEGC (Multiple-element gas container) and Battery Vehicle
- Simple and robust design
- The valve is PI and RHO marked
- High-quality product with maintenance costs reduced to a minimum
- Able to shut off the pressure receptacles for maintenance purposes, repairs or in case of accidents
- Max passage: Ø4 mm

For further technical specifications on this valve please see reverse.



90 years of proven experience

Discover more of our products at: www.bmv.dk

TECHNICAL SPECIFICATIONS:

451 Cylinder Valve for MEGC + Battery Vehicals

About this valve

Valve type 451 has been enhanced to a 500 bar version. The valve has been developed for MEGC (Multiple-element gas container) and battery vehicles in order to be able to shut off the pressure receptacles for maintenance purposes, repairs or in case of accidents.

The simple and robust design of the 451 valve ensures a high-quality product with maintenance costs reduced to a minimum.

Spare parts are readily available ensuring a steady supply of components to avoid interruptions in the field.

The valve has been tested and approved by The Federal Institute for Materials Testing and Research (BAM) in accordance with ISO 10297. The valve is PI and RHO marked.

With our 90 years of expertise and know-how, we have proven that simple valves can be reinterpreted.

The past meets the future.

BAM Approved: According to ISO 10297

Working pressure: 500 bar

Test Pressure acc. to ISO 10297: 600 bar Helium

Manufacture test pressure: 600 bar Nitrogen

Inlet connection: 25E, 25ES, or other on request

Outlet connection for simple valve: NPT, CGA, AS or other on request

Dip Tube: On request, M10x075, or other

Anti dust tube: On request

Handwheel: Ø65 and with logo on request. handwheel is optional.

Tape / Plastic protection cap: On request

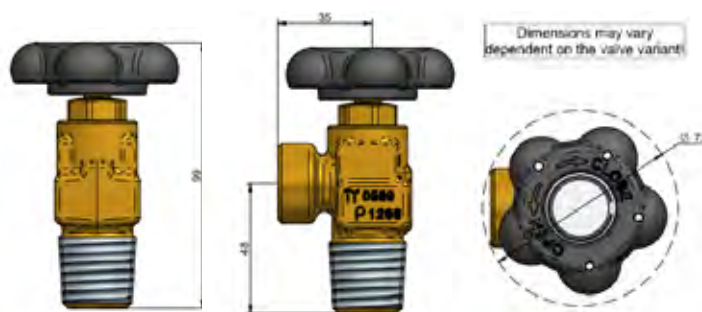
Surface treatment: Chromium plating on request

Passage: Ø4 mm

Contact our Sales Department to place your order:

Phone: +45 73 42 12 12

info@bmv.dk



Müller
GAS EQUIPMENT A/S
GAS CONTROL SOLUTIONS

Müller Gas Equipment A/S

Mommarkvej 7-11 · Vollerup · DK-6400 Sønderborg

Telefon: +45 73 42 12 12 · Fax: +45 73 42 12 07 · email: info@bmv.dk · www.bmv.dk

See our online catalogue



Type Approval and
IS Authorisation Certificate by:
BAM
BAM-TPED-beP-2011/002