

# 512

## Off-line High-pressure Cylinder Valve

RPV / MPR - Standard design

### TECHNICAL SPECIFICATIONS:

- The valve is oxygen pressure surge tested by BAM for WP 300 bar
- Reliable opening/closing setting of the RPV function
- Minimum Pressure Retention: 3 - 7.5 bar
- The valve is approved for - 40°C
- The distance from the sealingface to the tip of the pin can be customised
- Impact value of 400J / 111KG can be archived with inlet thread 25ES
- RPV unit can be replaced

*For further technical specifications on this valve please see reverse.*



**90** years of proven experience

Discover more of our products at: [www.bmv.dk](http://www.bmv.dk)

# TECHNICAL SPECIFICATIONS:

## 512 Off-line High-pressure Cylinder Valve

### About this valve

The MGE Type 512 is our standard off-line high-pressure cylinder valve. The valve is reliable and proven. It is equipped with RPV/MDR.

The valve is manufactured in Denmark on state of the art manufacturing equipment, and the quality is monitored throughout the entire process. The valve is assembled on an automated assembly line and the valve is subjected to a 100% functional test. After passing all tests on the assembly line it is securely packed for shipping.

**BAM Approved:** According to ISO 10297 & 15996

**Working pressure:** 300 bar & 200 bar

**Inlet connection:** 25E, 25ES, or other on request

**Inlet filter:** On request

**Outlet connection:** DS2404, DIN, NEN, AFNOR, UNI, NBN, CGA, BS, AS, ISO 5145, or other on request

**Dip Tube:** On request, M10 x 0.75, or other

**Anti dust tube:** On request

**Residual Pressure Valve / Minimum Pressure Retention:** 3 - 7.5 bar retain pressure

**Handwheel:** Plastic AÆ58.5 or Ø65 and with logo on request. Aluminium handwheel is optional. Free spinning handwheel on request

**Burst disc:** According to CGA S 1.1

**Max flow:** On request

**Tape / Plastic protection cap:** On request

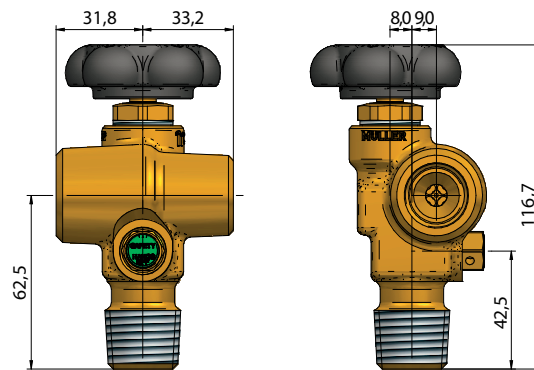
**Fusible element:** On request

**Surface treatment:** Chromium plating on request

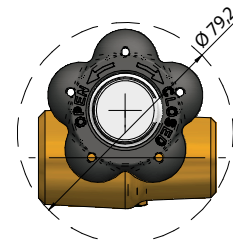
Contact our Sales Department to place your order:

**Phone: +45 73 42 12 12**

**info@bmv.dk**



Dimensions may vary dependent on the valve variant!



## 512 - OFF-LINE HIGH PRESSURE CYLINDER VALVE

## SAME QUALITY, IMPROVED DESIGN (TYPE 518)



- RPV/MDR
- Standard design
- Many different size variations



- Improved RPV
- Less noise pollution
- Prolonged lifetime on the RPV unit

# Müller

GAS EQUIPMENT A/S

GAS CONTROL SOLUTIONS

Müller Gas Equipment A/S

Mommarkvej 7-11 · Vollerup · DK-6400 Sønderborg

Telefon: +45 73 42 12 12 · Fax: +45 73 42 12 07 · email: info@bmv.dk · [www.bmv.dk](http://www.bmv.dk)

See our online catalogue



Type Approval and IS Authorisation Certificate by:

